

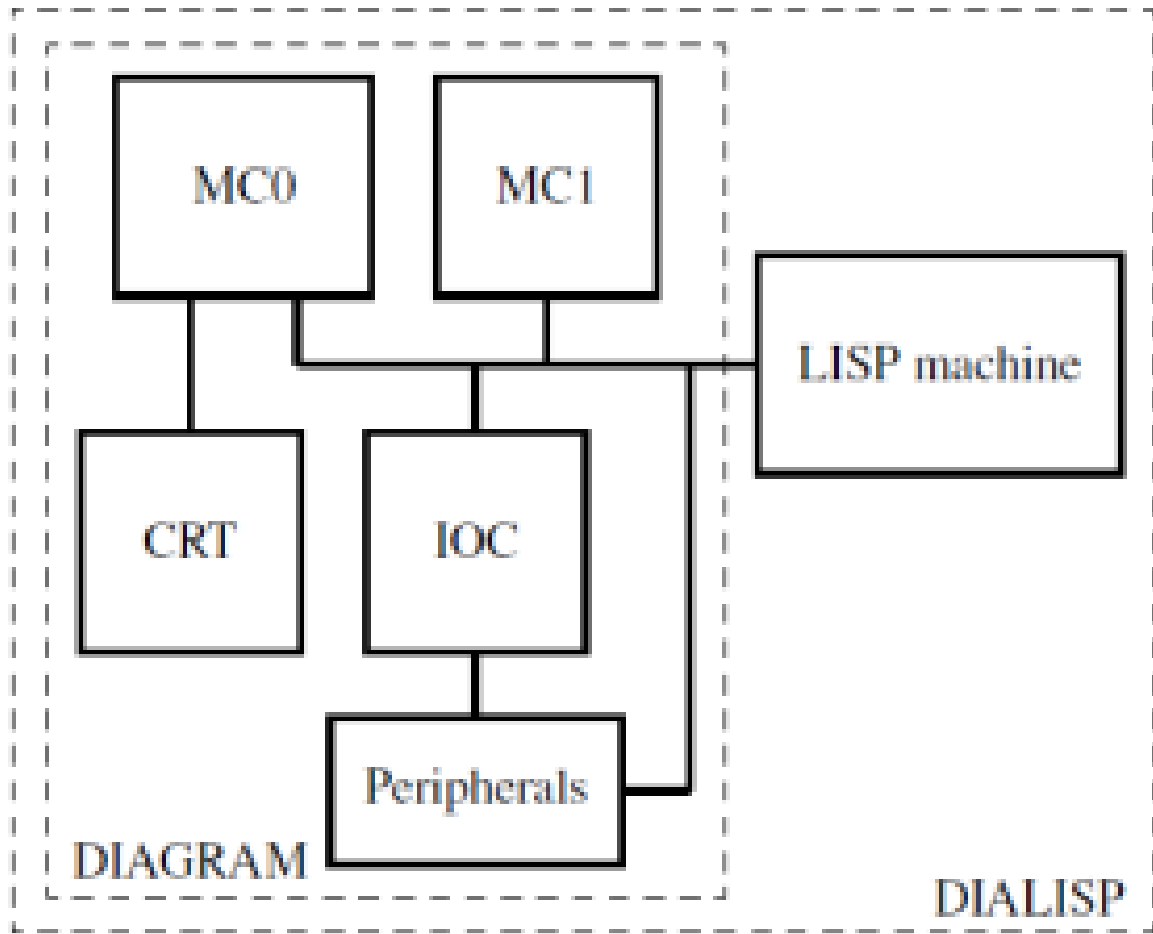
Ro-Micro, Brasov 28 June 2024

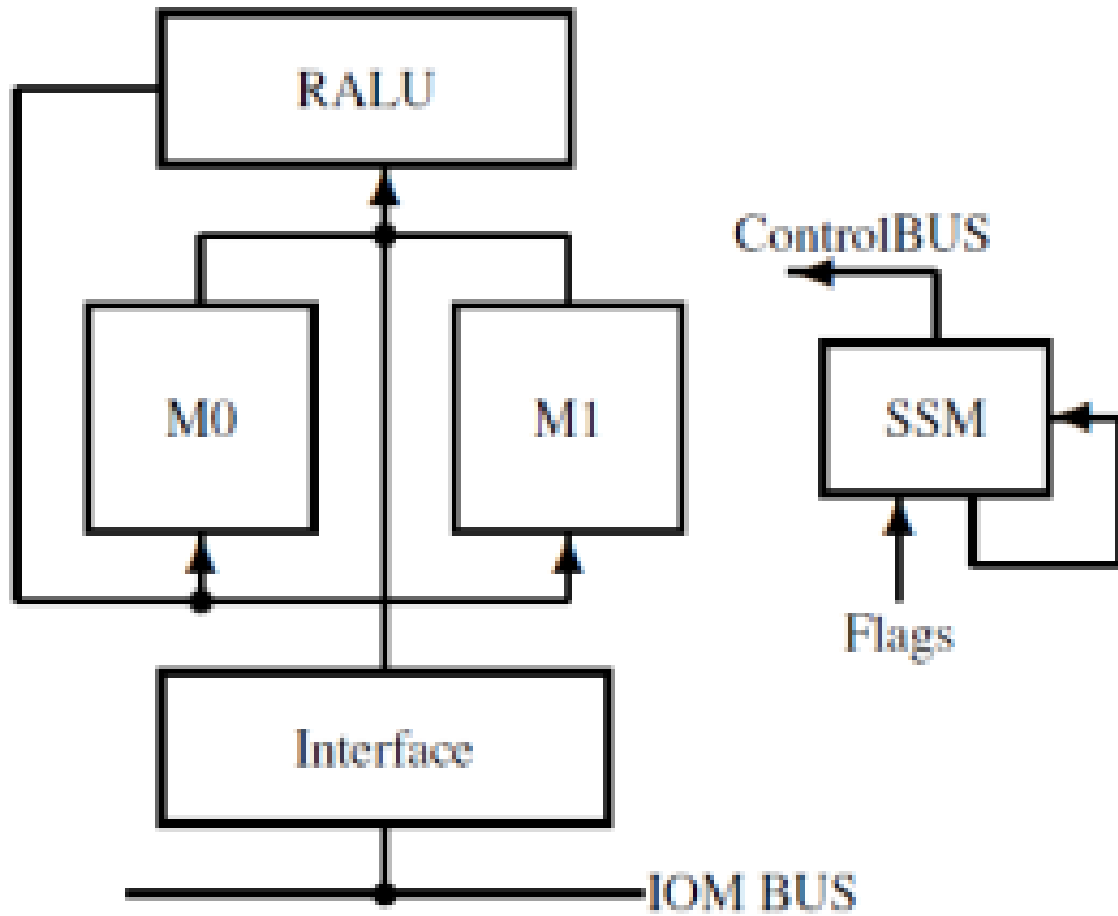
DIALISP: a Lisp Machine

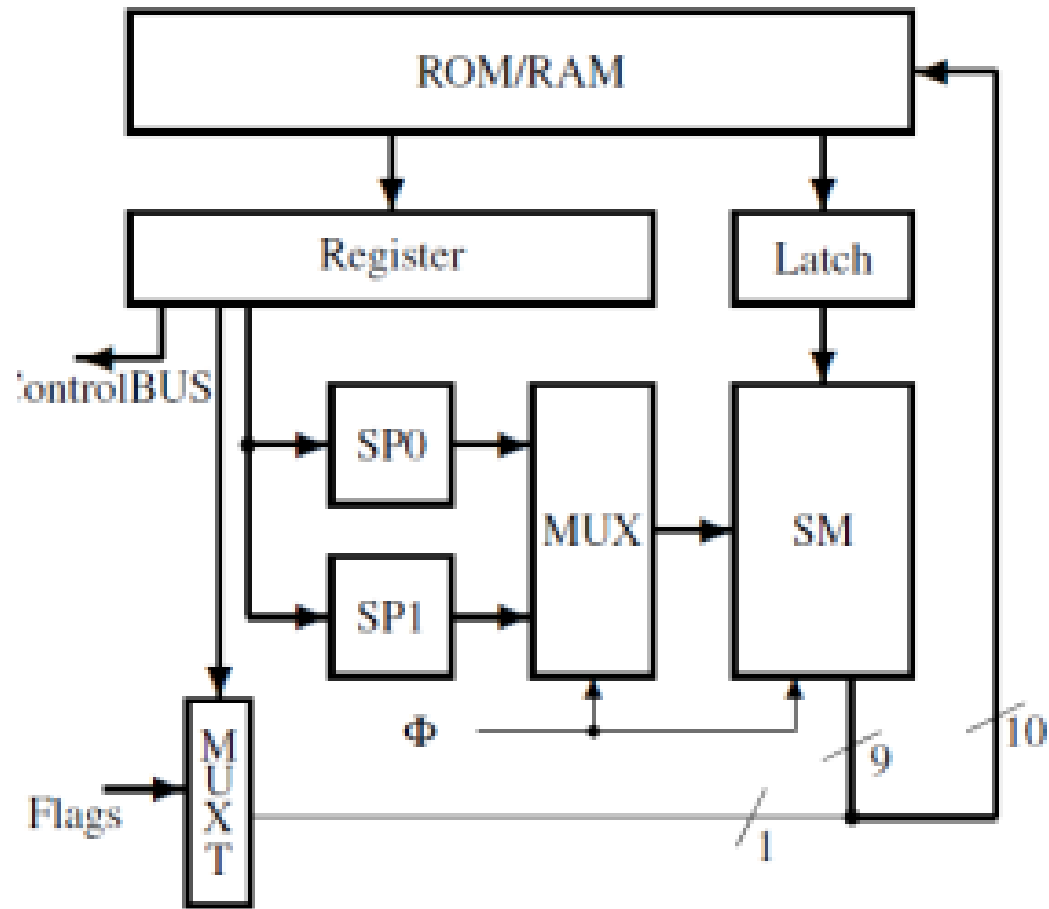
Gheorghe M. Ștefan

Why a LISP machine?

- ▶ In LISP language there is no difference between programs and data; all is *s-expressions*, i.e. *atoms* and *lists*
- ▶ LISP is the first programming language to introduce recursive descriptions







Function	Time
CAR	4.5 μS
CDR	5 μS
RPLACA	12 μS
RPCLAD	14 μS
CAAR	7 μS
CADR	7.5 μS

Clock frequency
is similar to
1980s
implementations

- ▶ DIALISP: 4 MHZ
- ▶ SYMBOICS: 5 MHZ

Tanks